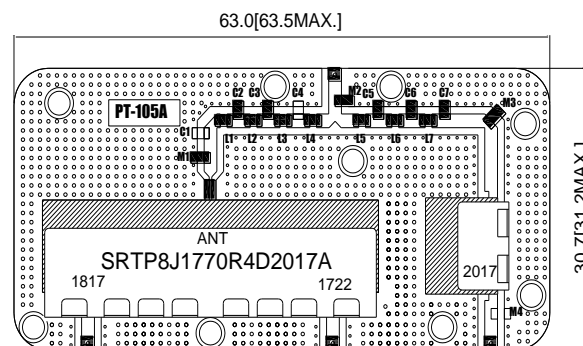


Electrical Specification

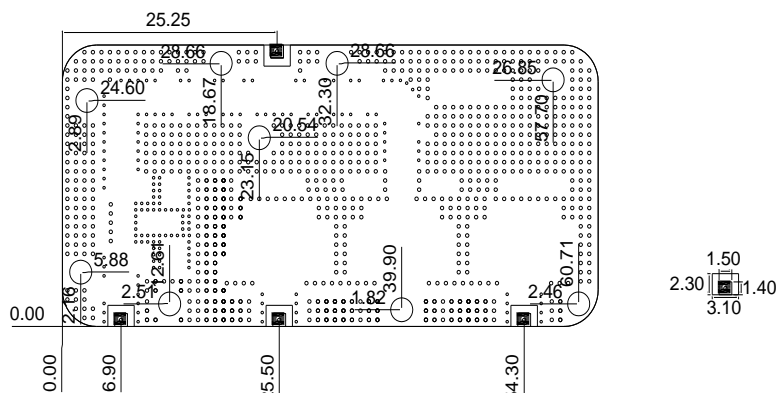
Items	CH 1	CH 2	CH 3	Unit
Center Frequency [fo]	1722.5	1817.5	2017.5	MHz
Bandwidth [BW]	$f_{o\pm 12.5}$ [1710.0 ~ 1735.0]	$f_{o\pm 12.5}$ [1805.0 ~ 1830.0]	$f_{o\pm 7.5}$ [2010.0 ~ 2025.0]	MHz
Insertion Loss in BW	2.5	2.5	3.0	dB max.
Ripple in BW	1.0	1.0	1.0	dB max.
Return Loss in BW				dB min.
V S W R in BW	1.3	1.3	1.3	max.
Attenuation	55 dB min @ [1805.0 ~ 1830.0]	52 dB min @ [1710.0 ~ 1735.0]	50 dB min @ [1710.0 ~ 1735.0]	MHz
<input checked="" type="checkbox"/> Absolute Value	50 dB min @ [2010.0 ~ 2025.0]	45 dB min @ [2010.0 ~ 2025.0]	50 dB min @ [1805.0 ~ 1830.0]	MHz
<input type="checkbox"/> Relative Value	25 dB min @ [1780.0 ~]	25 dB min @ [1780.0 ~]	25 dB min @ [1955.0 ~]	MHz
	dB min @ [~]	dB min @ [~]	dB min @ [~]	MHz
	dB min @ [~]	dB min @ [~]	dB min @ [~]	MHz
	dB min @ [~]	dB min @ [~]	dB min @ [~]	MHz
Coupler				
Input Power	3.0 W max.			
In/Out Impedance	50 Ω			
Operation Temp. Range	-40°C to +85°C			

Mechanical Specification

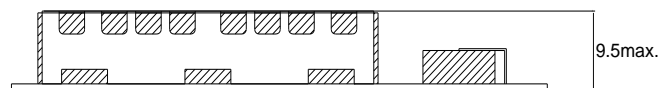
TOP VIEW



BOTTOM VIEW



FRONT VIEW



 I/O PORT

 GROUND

TOLERANCE : ±0.2

UNIT : MM

Plot Data

