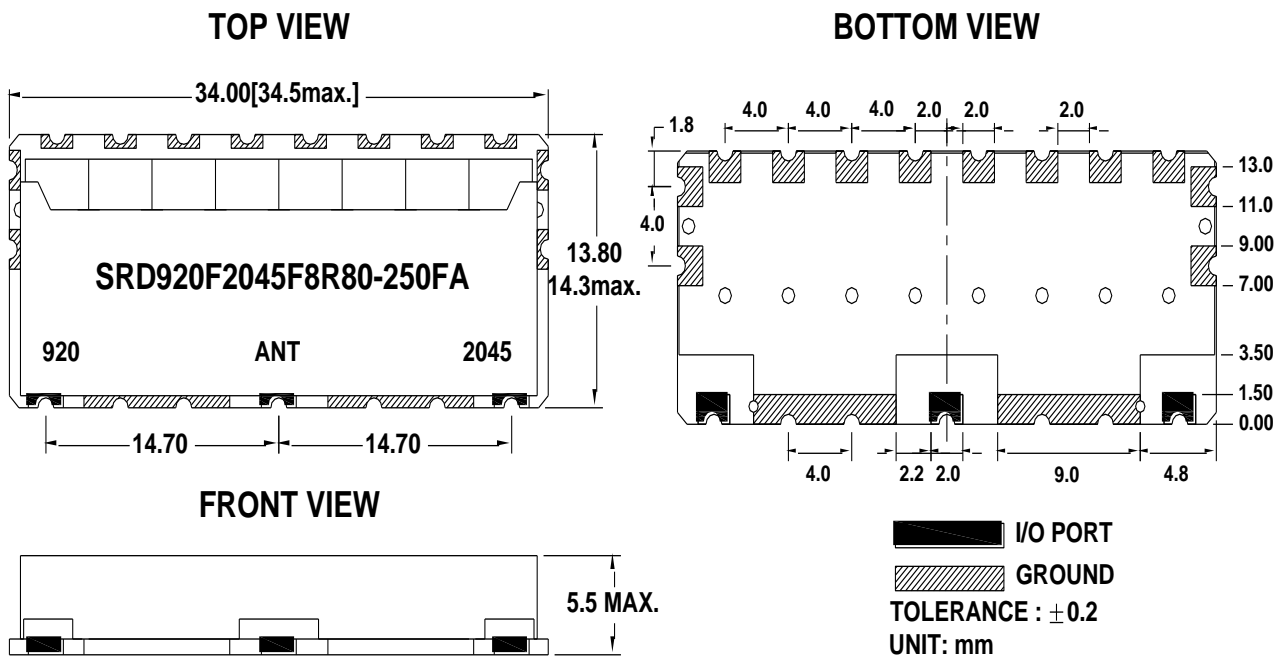


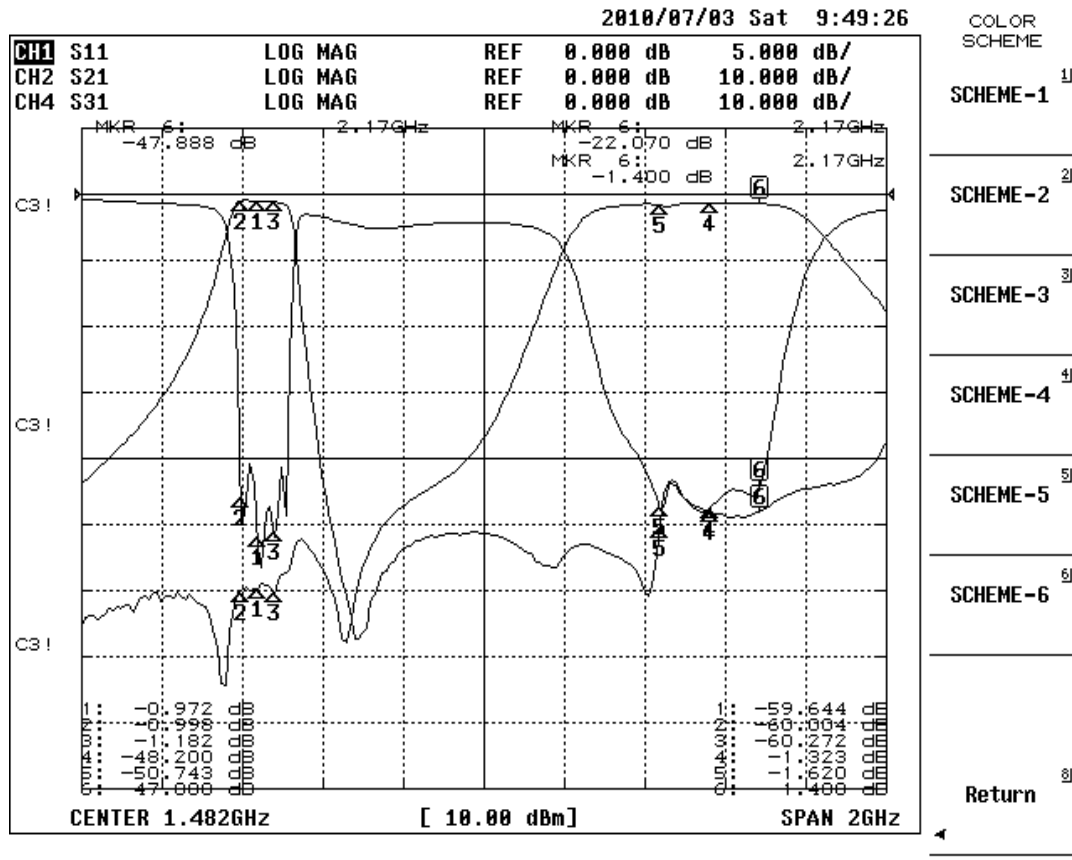
## Electrical Specification

ITEMS	ANT >> Low	ANT >> High	Unit
Center Frequency [fo]	920.0	2045.0	MHz
Bandwidth [BW]	$f_{o\pm 40.0}$ [ 880.0 ~ 960.0 ]	$f_{o\pm 125.0}$ [ 1920.0 ~ 2170.0 ]	MHz
Insertion Loss in BW	1.7	1.7	dB max.
Ripple in BW	1.0	1.0	dB max.
Return Loss in BW <input checked="" type="checkbox"/> ANT Port	10.0	10.0	dB min.
V S W R in BW <input type="checkbox"/> ALL Port			max.
Attenuation	45.0 dB min @ [ 1920.0 ~ 2170.0 ]	55.0 dB min @ [ 880.0 ~ 960.0 ]	MHz
<input checked="" type="checkbox"/> Absolute Value	dB min @ [ ~ ]	dB min @ [ ~ ]	MHz
<input type="checkbox"/> Relative Value	dB min @ [ ~ ]	dB min @ [ ~ ]	MHz
Isolations	dB min @ [ ~ ]		MHz
	dB min @ [ ~ ]		MHz
Input Power	3.0 W max.		
In/Out Impedance	50 $\Omega$		
Operation Temp. Range	-40°C to +85°C		

## Mechanical Specification



## Plot Data



## Recommended PC Board Pattern

