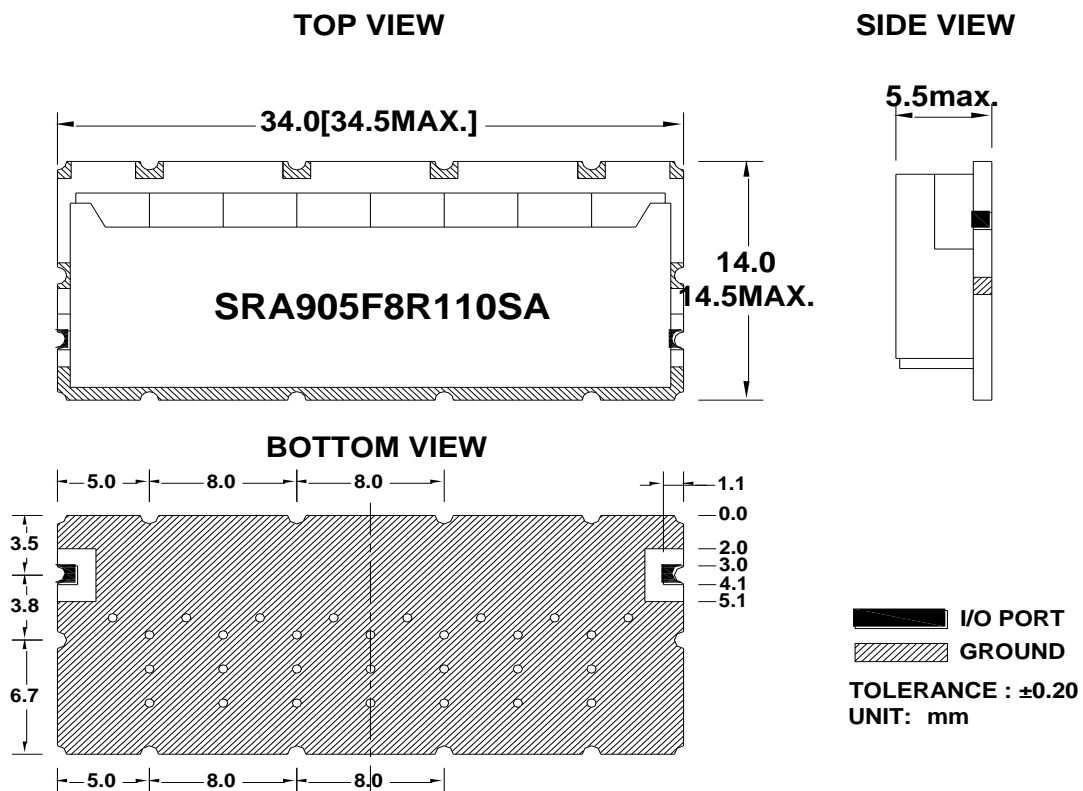


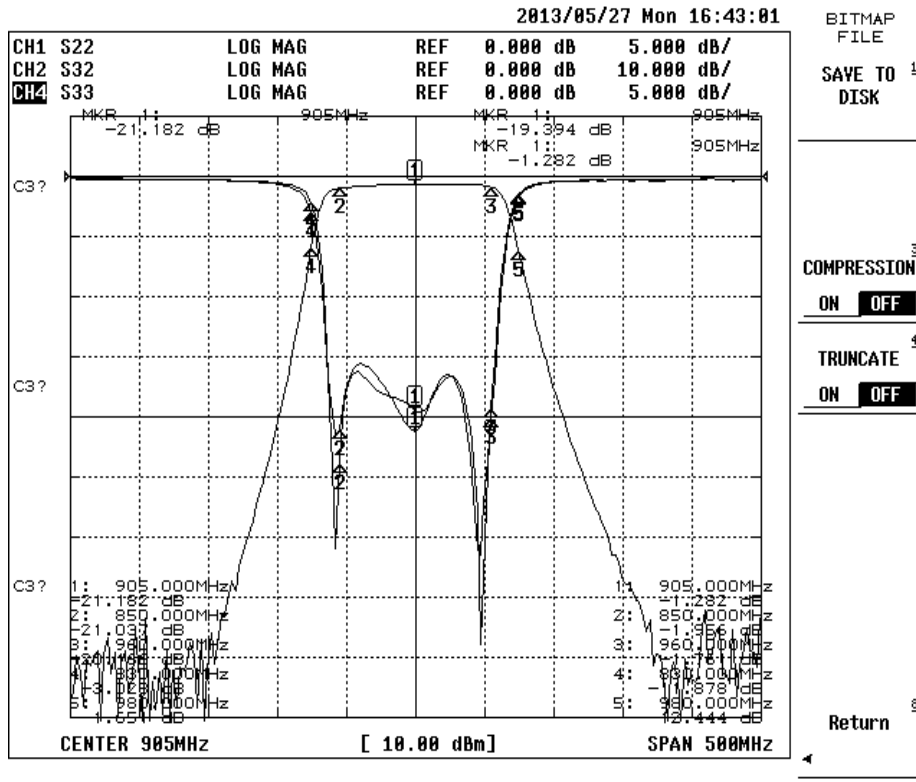
Electrical Specification

Items	Spec	Unit
Center Frequency [fo]	905.0	MHz
Bandwidth [BW]	$f_o \pm 55.0$ [850.0 ~ 960.0]	MHz
Insertion Loss in BW	2.3	dB max.
Ripple in BW	1.0	dB max.
Return Loss in BW	15.0	dB min.
V S W R in BW		max.
Attenuation	10.0 dB min. @ $f_o \pm$ [830.0 & 980.0]	MHz
<input checked="" type="checkbox"/> Absolute Value	dB min. @ $f_o \pm$ [&]	MHz
<input type="checkbox"/> Relative Value	dB min. @ $f_o \pm$ [&]	MHz
	dB min. @ $f_o \pm$ [&]	MHz
Group Delay Variation		ns max
Input Power		W max.
In/Out Impedance	50 Ω	
Operation Temp. Range	-40°C to +85°C	

Mechanical Specification



Plot Data



Recommended PC Board Pattern

